


FEATURES - Ex d - CCA I

<p>Stainless Steel enclosures (303, 304 or 316L) Used both as junction boxes with or without terminals and for installing other electrical equipment such as switches, indicators, section switches, remote control switches and transformers. The square shape - without outer flanges - allows for multiple panels by mounting the enclosures side by side on a single mounting plate. This enables the build of compact batteries for all environments containing any type of gas, as they are certified against IIC gases. Drilled and threaded on both walls and covers to individual customer specifications.</p> <p>Optional Internal mounting plates Internal anti-condensation coating Air and drainage valve</p>	
---	---

PROTECTION CE Ex II 2GD EEx d IIC T5/T6 IP66
 CE Ex II 2(1)GD EEx d(ia) IIC T5/T6 IP66

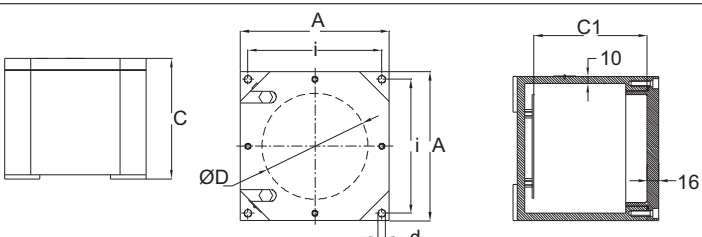
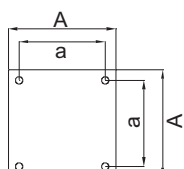
CERTIFICATION

	Certification	Ambient	Certificate
Empty Box	II 2GD EEx d IIC IP66	-20°C to +40°C -20°C to +55°C	CESI 01 ATEX 034U
Terminal Box	II 2GD EEx d IIC T6/T5 IP66	-20°C to +40°C T6 -20°C to +55°C T5	CESI 01 ATEX 035
Control, monitoring & signalling unit	II 2GD EEx d IIC T6/T5 IP66	-20°C to +40°C (max lamp power 5W) -20°C to +55°C (max lamp power 3W)	CESI 01 ATEX 036
		T6 or T5 depending on Enclosure size, ambient temp & power dispersed	
Control, monitoring and Interface units	II 2(1) G EEx d (ia) IIC T6/T5 II 2(1) GD EEx d (ia) IIC IP66 T6 for interface units T6 or T5 for control, monitoring units	-20°C to +40°C T6 -20°C to +55°C T5	CESI 03 ATEX 174

GOST-R, GOST-K and Australian certification also available.

SPECIFICATION

Material AISI 303, 304 or 316L stainless steel
Cover bolts A2-R700 N/mm² stainless steel cover screws
Earth Screws AISI 604 UNI 7323 stainless steel internal / external

CONSTRUCTION SPECIFICATIONS		DIMENSIONS (mm)							
		Junction Box	External		Internal		Fixing	Weight (kg)	
			A	C	C1	ØD1	i	Ød	
		CCA1-2020	200	200	155	160	180	10	18,8
		CCA1-3020	300	200	155	260	280	10	38,8
		CCA1-3030	300	300	255	260	280	10	46,8
		CCA1-4030	400	300	255	360	380	12	71
		CCA1-4040	400	400	355	360	380	12	80,5
INTERNAL MOUNTING PLATES		DIMENSIONS (mm)							
		Junction Box		A	a	COD.			
		CCA1 2020		119	99	K1-265			
		CCA1 3020		190	170	K2-265			
		CCA1 3030		190	170	K2-265			
		CCA1 4030		260	240	K3-265			
		CCA1 4040		260	240	K3-265			

We reserve the right to amend technical data in accordance with continuous improvement of product specifications and standards. Refer to the website for the latest revision.